

# All Stainless Steel Utility Gauges

## 1.5" Model - 10S (1/8" - 1/4 NPT")



### Dry, Liquid Fillable or Pre-Filled.

Case Relief Grommet.  
 White Aluminium Dial ,Black figures.  
 Black Aluminium Pointer.  
 316 Stainless Steel Wetted Parts.  
 304 Stainless Steel Case & Crimped Ring.

### ACCURACY

3-2-3% (ASME B40.1 Grade B).

### SCALE

Triple Scale  
 PSI / BAR / KPA

### LENS

Polycarbonate.  
 Acrylic (on CB Non Fillable)

### MOUNTING TYPES

No Code: Bottom Connection  
 CB: Center Back Connection.(Fillable & Non Fillable)  
 C: C-Clamp Fixing for Panel Mounting.  
 FP: Front Flange for Panel Mounting.



Model Shown: 10S-30-CB  
 (Non Fillable option shown)

### PRESSURE RANGE CODES

Range Code	Range (psi)	Range Code	Range (psi)
V30	30"Hg -0 Vacuum	300	0-300
R315	Receiver 3-15	400	0-400
C15	30"Hg-0-15	600	0-600
C30	30"Hg-0-30	800	0-800
C60	30"Hg-0-60	1K	0-1,000
C100	30"Hg-0-100	1500	0-1,500
C160	30"Hg-0-160	2K	0-2,000
C200	30"Hg-0-200	3K	0-3,000
C300	30"Hg-0-300	4K	0-4,000
15	0-15	5K	0-5,000
30	0-30	6K	0-6,000
60	0-60	10K	0-10,000
100	0-100	15K	0-15,000
160	0-160		
200	0-200		

### HOW TO ORDER BY PART NUMBER.

- 1 **Model Number::** (10S)
- 2 Choose **Pressure Range** (code).
- 3 Choose **Mounting Type** (code).
- 4 Liquid filling, if desired: **GF=Glycerin**.

### FOR EXAMPLE: 10S-30-CB

1.1/2 inch Non Fillable 316 Stainless Steel Gauge,  
 1/8 inch NPT.  
 0-30 psi range.  
 Center Back Mount.  
 Add 1/4 if you require 10S with 1/4" NPT  
 (this is non standard).

1-Model	2-Range Code	3-Mounting Type	4-Filling Type	
10S	30	CB	Non Fillable	

We manufacture a wide range of instruments to customer's special requirements  
 We shall be pleased to discuss and advise on your specifications.

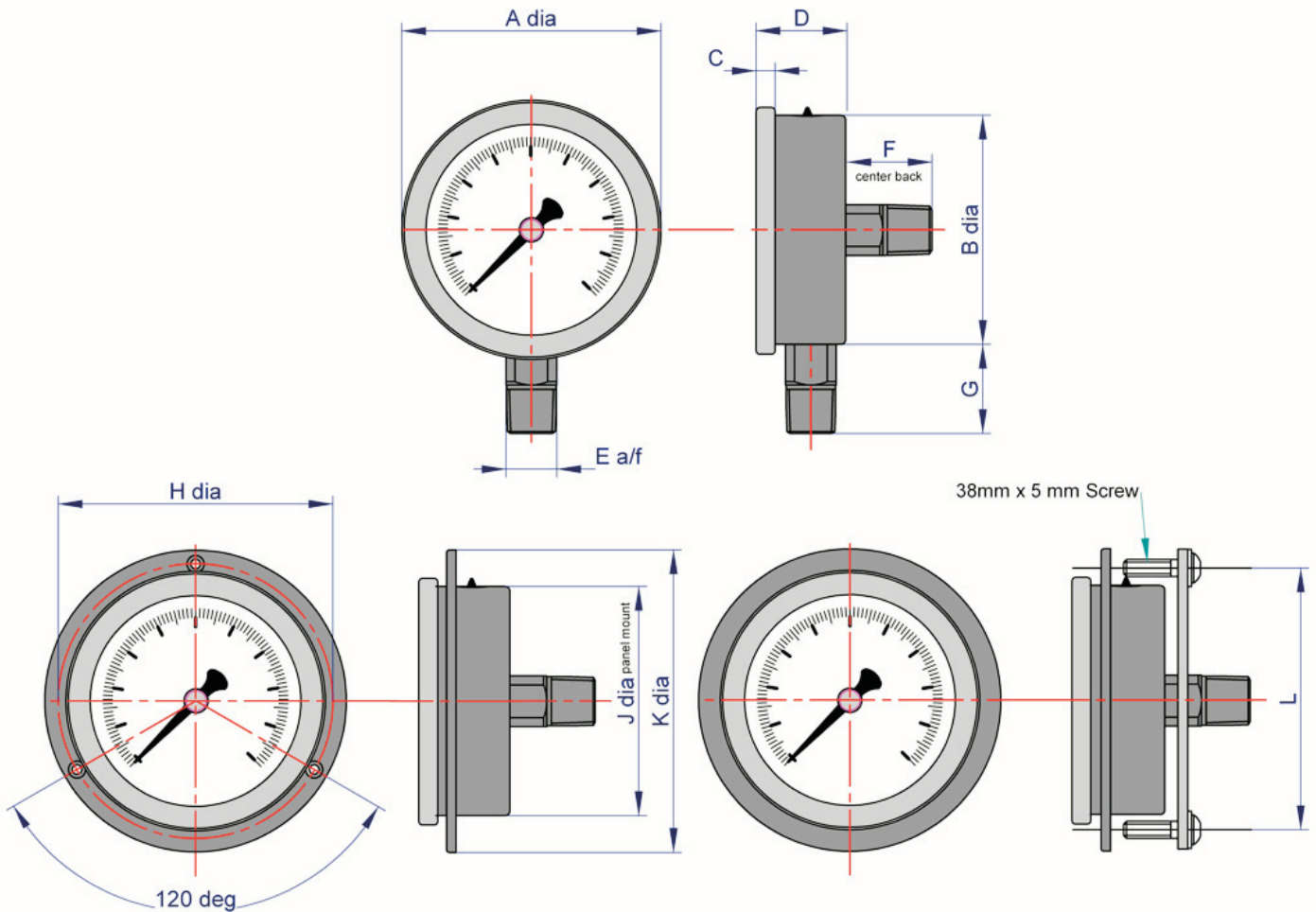
# All Stainless Steel Utility Gauges

## 1.5" Model - 10S (1/8" - 1/4 NPT")

Standard Direct Mounted (Bottom Vertical)

**CB:Center Back Connection**

Also available Non Fillable with smaller dia bezel  
(See Dims Chart)



**FP:Front Flange for Panel Mounting**

**C:Clamp Fixing for Panel Mounting**

	A Dims	B	C	D	E	F	G	H	J	K	L	Hole Size
38mm	46.5	41.0	4.5	25.5	12.5	20.0	17.0		43.0	62.3	48.2	44.5
1.5in	1.83	1.61	0.18	1.0	0.49	0.79	0.67		1.69	2.45	1.9	1.75
Non Fillable	42.0	41.0	8.0	24.0	11.0	16.0						
Center Back	1.65	1.61	0.31	0.94	0.43	0.63						

**STEWARTS - USA**  
 6786 Tipperary  
 HOUSTON, TX 77061 USA  
 Phone. 713-643-1022  
 Fax. 713-643-2855  
 Toll Free. 1-800-901-1316  
 Web. [stewartsusa.com](http://stewartsusa.com)