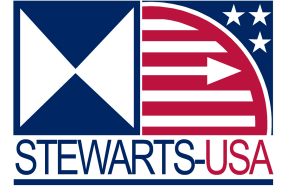


Utility Gauges

2.5" Model-21S 1/4"NPT

4" Models-42S 1/4"NPT & 43S 1/2"NPT



AISI 316 STAINLESS STEEL CASE FILLABLE 1/4 / 1/2 inch NPT

AISI 316 Crimped on Bezel
Blow-Out Relief.
Polycarbonate Window.
White Aluminium Dial. (Black Printing)
Black Aluminium Pointer.
Stainless Steel Movement.
AISI 316 Stainless Steel Wetted Parts.
Pulsation Restrictor.

ACCURACY

ASME B40.1 Grade A 2-1-2%.

RANGE

As Detailed Below.

MOUNTING TYPES

Standard Direct Mounted (Bottom Vertical).

CB: Center Back Connection.
LB: Lower Back Connection.
FP: Front Flange for Panel Mounting.
C: C-Clamp Fixing for Panel Mounting.
R: Rear Flange for Wall Mounting.



Model: 42S-6K
To order other models
by part no, See Below.

RANGE SELECTION

Range Code	Range (psi)	Range Code	Range (psi)
V30	VAC 0-30	160	0-160
R315	REC 3-15	200	0-200
C15	COMP 30+15	300	0-300
C30	COMP 30+30	400	0-400
C60	COMP 30+60	600	0-600
C100	COMP 30+100	800	0-800
C160	COMP 30+160	1K	0-1,000
C200	COMP 30+200	1500	0-1,500
C300	COMP 30+300	2K	0-2,000
15	0-15	3K	0-3,000
30	0-30	5K	0-5,000
60	0-60	6K	0-6,000
100	0-100	10K	0-10,000

Additional Code Suffix for dual scale ranges (B = BAR/PSI) (K = KPA/PSI) (Kg Cm²) (KgCm² = KgCm² / PSI)

HOW TO ORDER BY PART NO.

- 1 Model No.
- 2 Choose Pressure Range (code).
- 3 Choose Mounting Type.
- 4 If special requirements are needed add description.

FOR EXAMPLE (AS SHOWN) 42S-6K-CB

4inch Utility Gauge 1/4inch NPT.
0-6,000 psi.
Center Back Connection.
No Non Standard Requirements.

Model	Dial Range Code	Mounting Type	Filling Type	Non Standard Requirements
42S	6K	CB	None	None

We manufacture a wide range of instruments to customer's special requirements
We shall be pleased to discuss and advise on your specifications.

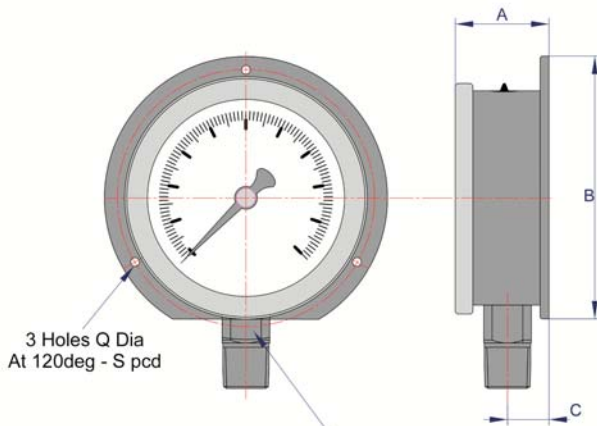
Specifications and dimensions given in this leaflet represent the state of engineering at the time of printing.
Engineering modifications may take place without prior notice.

Utility Gauges

2.5" Model-21S 1/4"NPT

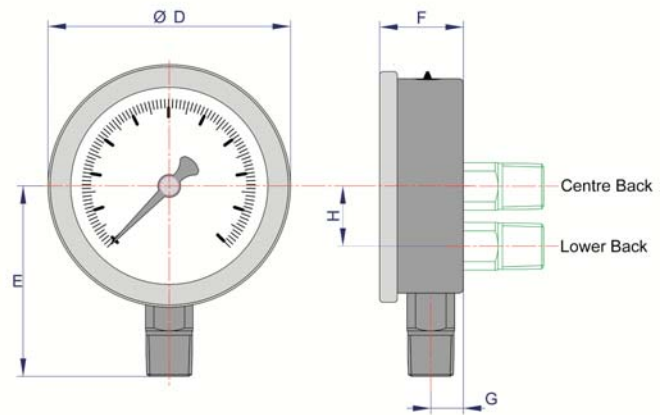
4" Models-42S 1/4"NPT & 43S 1/2"NPT

Rear Flange Wall Mounting

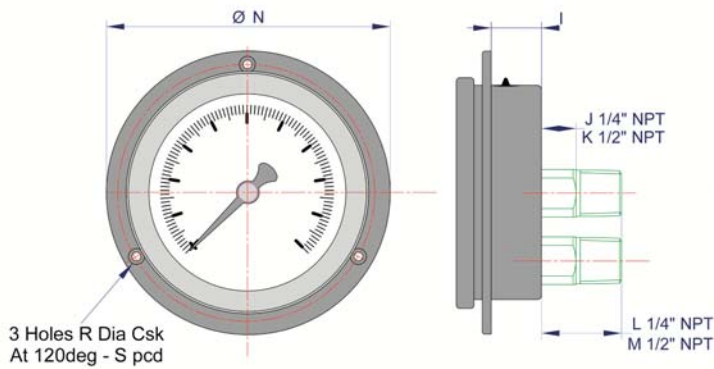


Socket 14mm sq A/F 1/4" NPT
Socket 22mm sq A/F 1/2" NPT

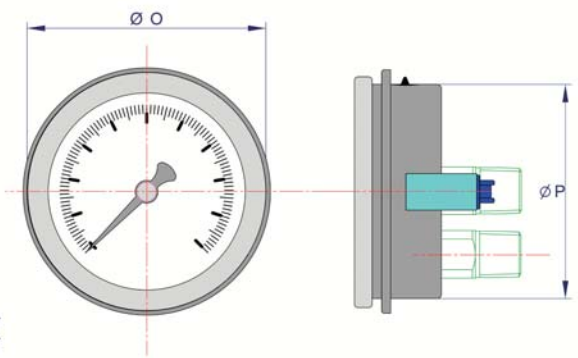
Direct Mounting (Standard)



Front Flange Panel Mounting



Clamp Fixing Panel Mounting



	A	B	C	D	E	F	G	H	I	J	K	L	M	N	O	P	Q	R	S	Cut Out
63mm 2.5in				67.3 2.65	56 2.20	30.5 1.20	10.6 0.42	18 0.71	19.5 0.77					85.2 3.35	67 2.64	62 2.44	3.8 0.15	3.8 0.15	75 2.95	66 2.60
100mm 4in				109 4.29	78.5 2.97	33.5 1.32	0.82 12.2	18 0.71	20.8 0.82					132.5 5.21	110 4.33	98.8 3.89	6 0.24	6 0.24	118 4.65	106 4.17

Warning : Before use please consult our recommendation regarding selection and installation.
Copies available on request.

STEWARTS - USA
6786 Tipperary
HOUSTON, TX 77061 USA
Phone. 713-643-1022
Fax. 713-643-2855
Toll Free. 1-800-901-1316
Web. stewartsusa.com