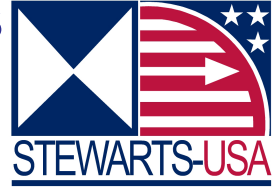


# Heavy Duty, All Stainless Steel Gauges

4 1/2" Model- 49S (49SV) 1/4" NPT (SV VibraGauge® Option)



**Dry, Liquid Fillable or Pre-Filled. VibraGauge® Option also available**  
**VibraGauge® for Dampening of vibration & pulsation without liquid filling.**

Case Relief Grommet.  
 White Aluminium Dial, Black Figures.  
 Black Aluminium Pointer.  
 AISI 316 Stainless Steel Wetted Parts.  
 AISI 316 Stainless Steel Case & Bayonet Ring (standard).  
 Orifice Restrictor Screw (removable).

## ACCURACY

0-10,000 psi 0.5% of Span  
 15 & 20K psi 1.0% of Span  
 30K psi & up 1.5% of Span

## LENS

Laminated Safety Glass, removable / replaceable - 3mm (0.12") thick.

## MOUNTING TYPES & CASE TYPES

**No Code:** Bottom Connection.  
**LB:** Lower-Back Connection.  
**FP:** Front Flange for Panel Mounting.  
**C:** C-Clamp Fixing for Panel Mounting.  
 (Solid Front Model Not available)



Model Shown: 49S-15K  
 To order other models  
 by part no, See Below.

## PRESSURE RANGE CODES (up to 3000bar)

Range Code	Range (psi)	Range Code	Range (psi)
V30	30"HG-0Vacuum	300	0-300
R315	Receiver 3-15	400	0-400
C15	30"HG-0-15	600	0-600
C30	30"HG-0-30	800	0-800
C60	30"HG-0-60	1K	0-1,000
C100	30"HG-0-100	1500	0-1,500
C160	30"HG-0-160	2K	0-2,000
C200	30"HG-0-200	3K	0-3,000
C300	30"HG-0-300	4K	0-4,000
15	0-15	5K	0-5,000
30	0-30	6K	0-6,000
60	0-60	10K	0-10,000
100	0-100	15K	0-15,000
160	0-160	20K	0-20,000 HIGH PRESSURE CONNECTIONS REQD
200	0-200	30K	0-30,000 HIGH PRESSURE CONNECTIONS REQD
		35K	0-35,000 HIGH PRESSURE CONNECTIONS REQD

## HIGH PRESSURE CONNECTIONS AVAILABLE

20K =1/4MPF(Female) 1/4MPM(Male) 9/16MPM(Male)  
 30K =1/4HPF(Female) 1/4HPM(Male) 9/16HPM(Male)  
 35K =1/4HPF(Female) 1/4HPM(Male) 9/16HPM(Male)

## SPECIAL ADDER CODES

psi / Bar scale = -B  
 psi / kPa scale = -K  
 Monel wetted parts = -M  
 Safety Zone Reflective Glow = -G  
 Cleaned for Oxygen Service = -O

## HOW TO ORDER BY PART NO.

- 1 **Model** number selected. (VibraGauge® option: add V to model).
- 2 Choose **Pressure Range** (code).
- 3 Choose **Mounting Type** (code).
- 4 If Special Adder Codes are needed add code or (description).
- 5 Liquid Filling, if desired **Gf=Glycerin, SF=Silicone,FF=Fluorolube**.

## FOR EXAMPLE (AS SHOWN) 49S-15K

4 1/2inch Fillable Stainless Steel,  
 1/4inch NPT,  
 Bottom Connection.  
 0-15,000 psi.

1-Model	2-Range Code	3-Mounting Type	4-Special Adder Codes	5-Filling
49S	15K	None	None	None

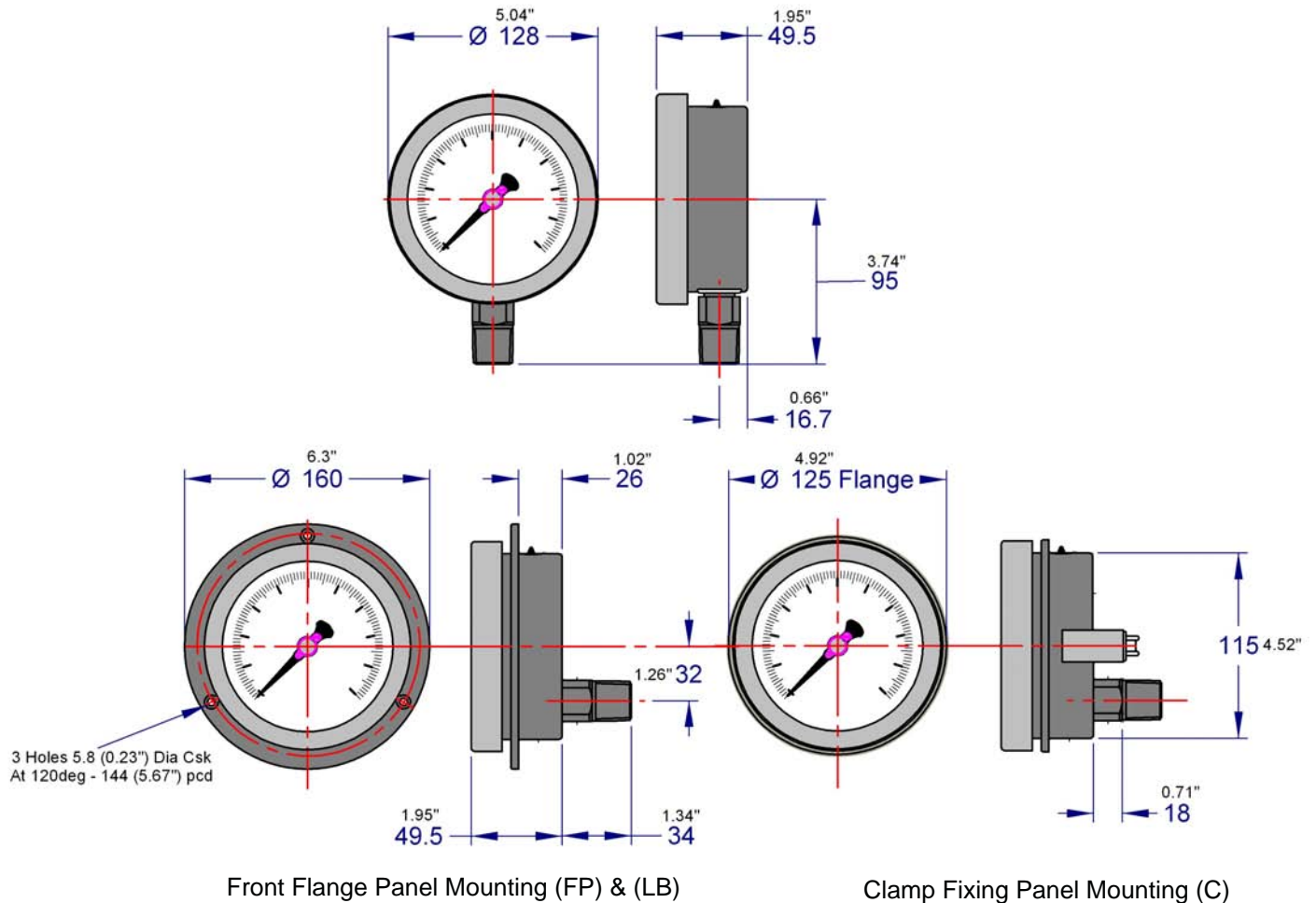
We manufacture a wide range of instruments to customer's special requirements  
 We shall be pleased to discuss and advise on your specifications.

Specifications and dimensions given in this leaflet represent the state of engineering at the time of printing.  
 Engineering modifications may take place without prior notice.

# Heavy Duty, All Stainless Steel Gauges

4 1/2" Model- 49S (49SV) 1/4" NPT (SV VibraGauge® Option)

Direct Mounting (Standard.no code)



**VibraGauge** dampened movement option provides twice the life of dry gauges, without liquid-filling. Eliminates pointer flutter and liquid fill lines.

Warning : Before use please consult our recommendations regarding selection and installation or consult ASME B40.100.

**STEWARTS - USA**  
 6786 Tipperary  
 HOUSTON, TX 77061 USA  
 Phone. 713-643-1022  
 Fax. 713-643-2855  
 Toll Free. 1-800-901-1316  
 Web. [stewartsusa.com](http://stewartsusa.com)