

All SS Utility Gauges

2.5" (63mm) Model **21S** (1/4"NPT)

4.0" (100mm) Model **42S** (1/4"NPT) **43S** (1/2"NPT)



AISI 316 STAINLESS STEEL CASE

FILLABLE, 1/4 or 1/2 inch NPT. One-Piece Welded Case/Stem

- AISI 316 SS Crimped-on Bezel
- Blow-Out Relief Fill Grommet
- Perspex Polycarbonate Lens
- White Aluminium Dial (Black Printing)
- Black Aluminium Pointer
- Stainless Steel Movement
- AISI 316 Stainless Steel Wetted Parts
- Pulsation Restrictor Screw (Removable)

ACCURACY

± 2-1-2% of Span

RANGE

As Detailed Below

MOUNTING TYPES

- No Code:** Bottom Connection
- CB:** Center Back Connection
- LB:** Lower Back Connection
- FP:** Front Flange for Panel Mounting
- C:** C-Clamp Fixing for Panel Mounting
- R:** Rear Flange for Wall Mounting



Model: 42S-6K
To order other models by part no, See Below.

RANGE SELECTION

Range Code	Range (psi)	Range Code	Range (psi)
V30	Vacuum 30"Hg-0	160	0-160
R315	Receiver 3-15	200	0-200
C15	Compound 30"Hg+15	300	0-300
C30	Compound 30"Hg+30	400	0-400
C60	Compound 30"Hg+60	600	0-600
C100	Compound 30"Hg+100	800	0-800
C160	Compound 30"Hg+160	1K	0-1,000
C200	Compound 30"Hg+200	1500	0-1,500
C300	Compound 30"Hg+300	2K	0-2,000
15	0-15	3K	0-3,000
30	0-30	5K	0-5,000
60	0-60	6K	0-6,000
100	0-100	10K	0-10,000

Additional Code Suffix for dual scale ranges (B = BAR/PSI) (K = KPA/PSI) (KGCM2 = KgCm² / PSI) (NH3 = Ammonia Temp Scale)

HOW TO ORDER BY PART NUMBER:

- 1 Model Number
- 2 Choose Pressure Range (code)
- 3 Choose Mounting Type (code)
- 4 If special requirements are needed, add description
- 5 Liquid filling, if desired: **GF=Glycerin, SF=Silicone, FF=Fluorolube**

FOR EXAMPLE 42S-6K

- 4 inch All SS Utility Gauge, 1/4inch NPT
- 0-6,000 psi
- Bottom Connection
- No Non Standard Requirements

Model	Dial Range Code	Mounting Type	Non-Standard Requirements	Filling Type
42S	6K		None	None

We manufacture a wide range of instruments to customer's special requirements
We shall be pleased to discuss and advise on your specifications.

Specifications and dimensions given in this leaflet represent the state of engineering at the time of printing.
Engineering modifications may take place without prior notice.

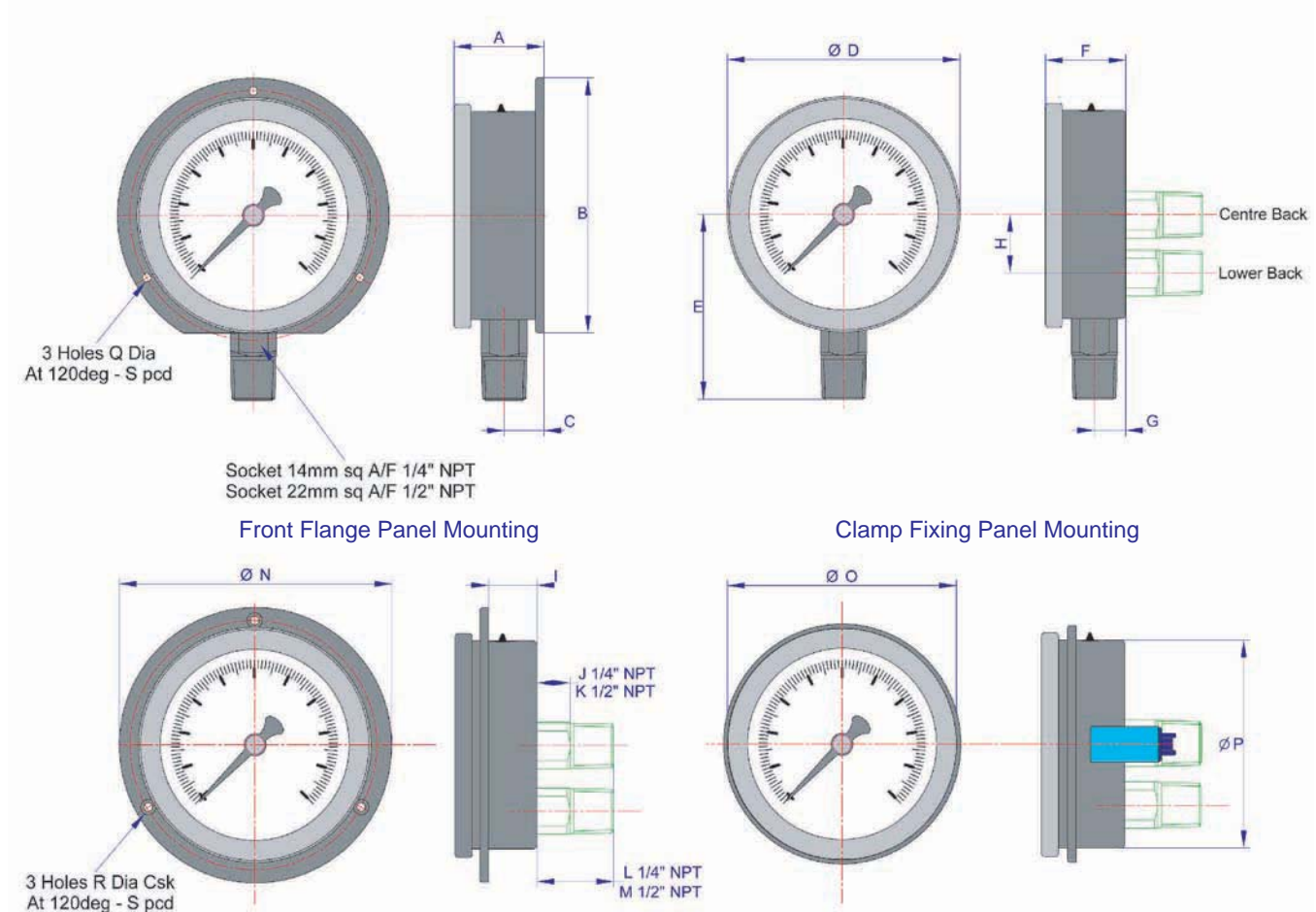
All SS Utility Gauges

2.5" Model 21S (1/4"NPT)

4.0" Model 42S (1/4"NPT) Model 43S (1/2"NPT)

Rear Flange Wall Mounting

Direct Mounting (Standard)



	A	B	C	D	E	F	G	H	I	J	K	L	M	N	O	P	Q	R	S	Cut Out
	Dims																			
(21S)	63mm 2.5in			67.3 2.65	56 2.20	30.5 1.20	10.6 0.42	18 0.71	19.5 0.77					85.2 3.35	67 2.64	62 2.44	3.8 0.15	3.8 0.15	75 2.95	66 2.60
(42S/43S)	100mm 4in			109 4.29	78.5 2.97	33.5 1.32	0.82 12.2	18 0.71	20.8 0.82					132.5 5.21	110 4.33	98.8 3.89	6 0.24	6 0.24	118 4.65	106 4.17

Warning: Before use, please consult our recommendation regarding selection and installation or consult ASME B40.1. Copies available on request.



STEWARTS-USA

6786 Tipperary
Houston, TX 77061 USA
Phone: 713-643-1022
Fax: 713-643-2855
Toll Free: 800-901-1316
www.StewartsUSA.com