

Stainless Steel Case Glycerin Filled Brass Internal Utility Gauges



1.5" Model - 13B (1/8 - 1/4" NPT)

2" Model - 32B (1/8 - 1/4" NPT)

2.5" Model - 23B (1/4" NPT)

CASE

Stainless Steel Case.
Stainless Steel Crimped Ring

INTERNALS and WETTED PARTS

Brass Socket
Bronze Tube
Brass Movement

ACCURACY

3%-2%-3% (ASME B40.1 Grade B)

SCALE

Triple Scale
PSI / BAR / KPA

MOUNTING TYPES

No Code: Bottom Connection
CB: Center Back Connection
C: C-Clamp Fixing for Panel Mounting
FP: Front Flange for Panel Mounting



Model: 13B-V30
To order other models
by part number, see below

RANGE SELECTION

Range Code	Range (psi)	Range Code	Range (psi)
V30	30"Hg - 0 Vacuum	300	0-300
R315	Receiver 3-15	400	0-400
C15	30"Hg -0- 15	600	0-600
C30	30"Hg -0- 30	800	0-800
C60	30"Hg -0- 60	1K	0-1,000
C100	30"Hg -0- 100	1500	0-1,500
C160	30"Hg -0- 160	2K	0-2,000
C200	30"Hg -0- 200	3K	0-3,000
C300	30"Hg -0- 300	5K	0-5,000
15	0-15	6K	0-6,000 2.5" (Model 23B) only this range
30	0-30	10K	0-10,000 2.5" (Model 23B) only this range
60	0-60		
100	0-100		
160	0-160		
200	0-200		

NPT Thread Size Code

1.5" (Model 13B) 1/8" NPT is standard. (Add **-1/4** code for 1/4 inch NPT)
2" (Model 32B) 1/4" NPT is standard. (Add **-1/8** code for 1/8 inch NPT)

HOW TO ORDER BY PART NUMBER

- 1 **Model Number** (13B, 32B, or 23B)
- 2 Choose **Pressure Range** (code)
- 3 Choose **Mounting Type** (code)
- 4 NPT Thread Size Code (see table)

(Note: These models come pre-filled with Glycerin only)

FOR EXAMPLE: 13B-V30

1.5 inch, Stainless Steel Case, Brass Internals
Vacuum 30"Hg - 0
Standard Bottom Connection, 1/8" NPT
Glycerin Filled (Standard) - No Fill code needed

1-Model	2-Range Code	3-Mounting Type	4-Thread Size
13B	V30		

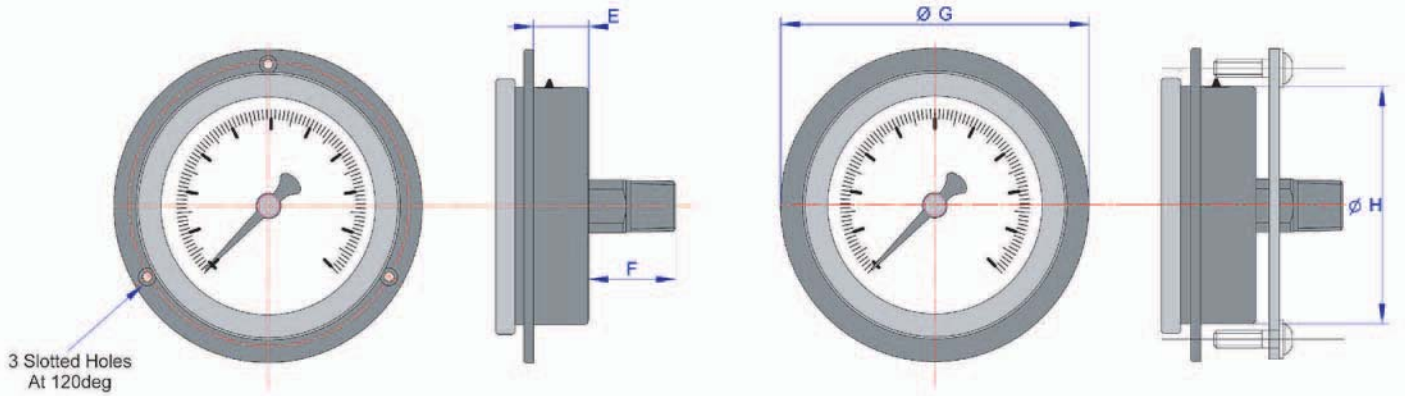
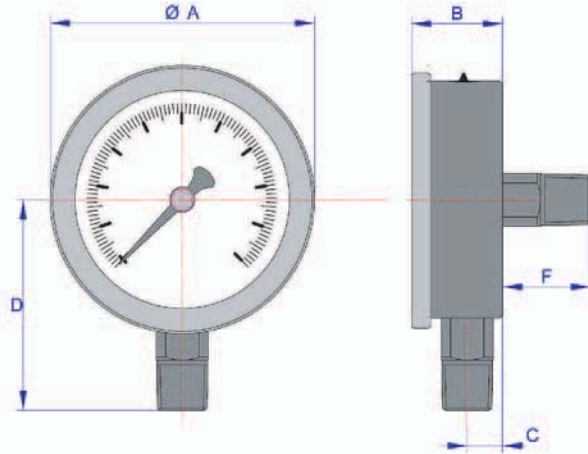
We manufacture a wide range of instruments to customer's special requirements
We shall be pleased to discuss and advise on your specifications.

Specifications and dimensions given in this leaflet represent the state of engineering at the time of printing.
Engineering modifications may take place without prior notice.

Stainless Steel Case Glycerin Filled Brass Internal Utility Gauges

- 1.5" Model-13B (1/8 - 1/4"NPT)
- 2" Model-32B (1/8 - 1/4"NPT)
- 2.5" Model-23B (1/4"NPT)

Direct Mounting (Standard) or Center Back (CB)



Front Flange Panel Mounting (FP)

Clamp Fixing Panel Mounting (C)

	A Dims	B	C	D	E	F	G	H	Cut Out
(13B) 38mm 1.5in	45.5 1.79	25.5 1.00	9 0.35	37.5 1.48	18.5 0.73	14 0.55	61.5 2.42	42.5 1.63	44.5 1.75
(32B) 50mm 2in	56 2.20	29 1.14	10 0.39	45.5 1.79	22 0.87	23.5 0.93	73 2.83	53 2.03	55 2.17
(23B) 63mm 2.5in	66.5 2.62	29 1.14	10 0.39	51 2.00	22.7 0.89	23.5 0.93	87 3.43	65 2.48	67 2.64

Before use please consult our recommendation regarding selection and installation or consult ASME B40.100

STEWARTS - USA
 6786 Tipperary
 HOUSTON, TX 77061 USA
 Phone. 713-643-1022
 Fax. 713-643-2855
 Toll Free. 1-800-901-1316
 Web. stewartsusa.com