

Process Gauges Solid Front Safety Case

4.5" model **50S** or **50SV** (¼" NPT)

4.5" model **51S** or **51SV** (½" NPT)



DRY or VibraGauge® dampened movement VibraGauge® option eliminates need for liquid filling

Use **VibraGauge®** instead of liquid-filling for pulsation or vibration¹.

- * AISI 316 Stainless Steel Stem and Socket.
- * AISI 316 Stainless Bourdon Tube (C-Form 600 PSI and Below)
(Spiral 800 PSI and Above)*

- Threaded Fiberglass / Polycarbonate Bezel Ring.
- * Elastomer with Integral O-Ring Seal Compensation Diaphragm.
- * Molded Fiberglass / Phenolic Safety Case, Turret Style.
- * Polypropylene with Reinforced Fiberglass Blow-Out Back.
- * White Aluminum Dial, Black Figures.
- * Black Aluminum Pointer (Adjustable).
- * Threaded Inlet Port, restrictor screw ready.

ACCURACY

- ± 0.5 % of Full Scale (Up to 10,000 psi)
- ± 1.0 % of Full Scale (15,000 psi)
- ± 1.5 % of Full Scale (20,000 psi and Inches of WC ranges)

LENS

Laminated Safety Glass (Will not craze or discolor; UV resistant, Shatterproof)

MOUNTING TYPES

Bottom Connection only

RANGE SELECTION (Inches of H2O ranges available, call factory)

Range Code Range (psi) **Range Code Range (psi)**

V30	Vacuum 30" Hg - 0	200	0-200
R315	Receiver 3 - 15	300	0-300
C15	30" Hg - 0 -15	400	0-400
C30	30" Hg - 0 - 30	600	0-600
C60	30" Hg - 0 - 60	800	0-800
C100	30" Hg - 0 - 100	1K	0-1,000
C160	30" Hg - 0 - 160	1500	0-1,500
C200	30" Hg - 0 - 200	2K	0-2,000
C300	30" Hg - 0 - 300	3K	0-3,000
15	0-15	5K	0-5,000
30	0-30	6K	0-6,000
60	0-60	10K	0-10,000
100	0-100	15K	0-15,000
160	0-160	20K	0-20,000 HIGH PRESSURE CONNECTION REQUIRED

DUAL-SCALE CODES: (B = psi/Bar), (K = psi/kPa), (KGCm2 = psi/KgCm2)

HIGH PRESSURE CONNECTION OPTION (required on 20K)

CODES: 1/4" HPF (Female) = **1/4HPF** or 9/16" MPM (Male) = **9/16MPM**

HOW TO ORDER BY PART NUMBER:

- 1- Model # (**50S**, **51S**=Dry or **50SV**, **51SV**=VibraGauge® Option)
 - 2- Choose Pressure Range (**code**). (Single Scale Metric Available)
 - 3- Option Code(s): (Dual-Scale ?) (Monel ? = **M**) (Glow Gauge ? = **G**)
- Note:** If VibraGauge® Option, **S** becomes **SV** (example: **51S** is now **51SV**)

1- Model	2- Range Code	3- Dual-Scale Code or Option Code(s)	Filling Type
51S	1K	None	N/A



Model: 51S -1K
To order other models by part number, see below.

²Safety Zone Glow Gauge Option: CODE = G

MONEL WETTED PARTS OPTION

CODE: Monel Wetted Parts = **M**

FOR EXAMPLE: 51S-1K (see table below)

4.5 inch Phenolic Solid Front, Blowout Back Safety Case
½ inch NPT bottom connection.
0-1,000 psi range

¹**VibraGauge®** option dampens the effects of pulsation and vibration, without liquid !!

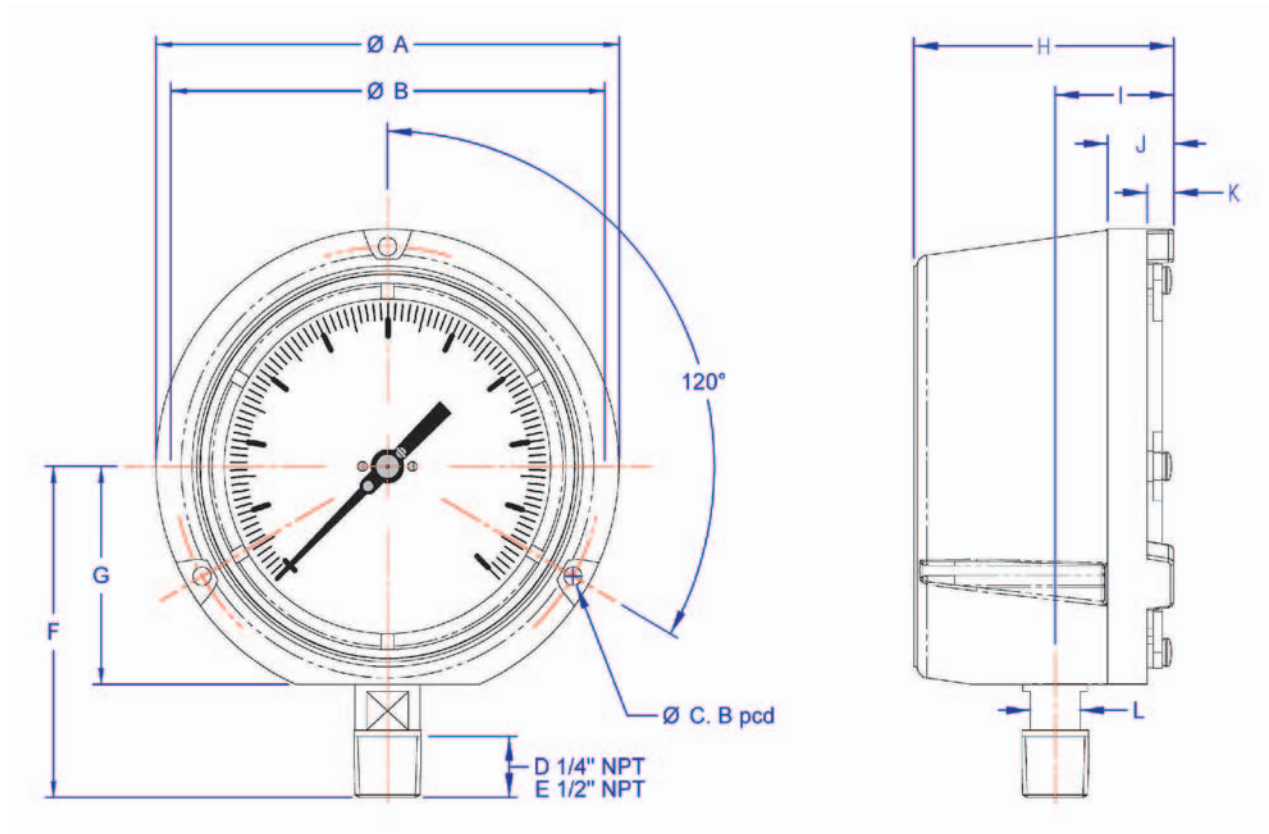
It is easier to read because there are no fill lines. Twice the life of dry gauges. No liquid = No leaks!

²**Safety Zone Glow Gauge Option:** Luminescent Dial, Reflective Pointer, Green Reflective Operating Zone Tabs.

· Easily see if operating conditions have become abnormal. Great for low-light conditions.

Process Gauges Solid Front Safety Case

4.5" model - **50S** (dry) or **50SV** (VibraGauge®) (¼" NPT)
 4.5" model - **51S** (dry) or **51SV** (VibraGauge®) (½" NPT)



Dims Dia	A	B	C	D	E	F	G	H	I	J	K	L
130 mm	148	137	6.5	16	21	103.25	68	83	38	21	8.5	16
4.1/2 inch	5.83	5.4	0.25	0.63	0.83	4.06	2.68	3.27	1.5	0.83	0.33	0.63

Before use, please consult ASME B40.1 regarding selection and installation of pressure gauges
 Copies available from: The American Society of Mechanical Engineers
 Three Park Avenue, New York, NY 10016-5990

STEWARTS - USA
 6786 Tipperary
 HOUSTON, TX 77061 USA
 Phone. 713-643-1022
 Fax. 713-643-2855
 Toll Free. 1-800-901-1316
 Web. stewartsusa.com