

# Heavy Duty, All Stainless Steel Gauges

## 2" Model 30S



### Dry, Liquid Fillable or Pre-Filled

- > Case Relief Grommet
- > White Aluminium Dial, Black figures
- > Black Aluminium Pointer
- > AISI 316 Stainless Steel Wetted Parts
- > **AISI 316 Stainless Steel Case and Bayonet Ring (Standard)**
- > Orifice Restrictor Screw for Pulsation (Removable)

### ACCURACY

+1% Full Scale (AMSE B40.1 Grade 1A)

### LENS

Laminated Safety Glass, removable/replaceable - 4mm thick

### MOUNTING TYPES

**No Code:** Bottom Connection (Standard)

**CB:** Center Back Connection

**FP:** Front Flange for Panel Mounting

**C:** C-Clamp Fixing for Panel Mounting



**Model Shown: 30S - 60**  
To order other models  
by part number, see below.

### PRESSURE RANGE CODES

Range Code	Range (psi)	Range Code	Range (psi)
V30	30"Hg - 0 Vacuum	300	0-300
R315	Receiver 3-15	400	0-400
C15	30"Hg -0- 15	600	0-600
C30	30"Hg -0- 30	800	0-800
C60	30"Hg -0- 60	1K	0-1,000
C100	30"Hg -0- 100	1500	0-1,500
C160	30"Hg -0- 160	2K	0-2,000
C200	30"Hg -0- 200	3K	0-3,000
C300	30"Hg -0- 300	4K	0-4,000
15	0-15	5K	0-5,000
30	0-30	6K	0-6,000
60	0-60	10K	0-10,000
100	0-100		
160	0-160		
200	0-200		

**Special Adder Codes for dual scale ranges:** (B = psi/Bar) (K = psi/kPa) (KGCM2 = psi/Kg CM<sup>2</sup>)

### HOW TO ORDER BY PART NUMBER

- 1 **Model Number:** (30S)
- 2 Choose **Pressure Range** (code).
- 3 Choose **Mounting Type** (code).
- 4 If **Special Adder Codes** are needed, add code or (description)
- 5 Liquid filling, if desired: **GF=Glycerin, SF=Silicone, FF=Fluorolube**

### FOR EXAMPLE: 30S-60

2 inch, Fillable, 316 Stainless Steel Gauge, 1/4 inch NPT.  
0-60 psi range  
Standard Bottom Mount

**Note: Add 1/8 if you require 30S with 1/8" NPT.**

1-Model	2-Range Code	3-Mounting Type	4-Special Adder Codes	5-Filling Type
30S	60			

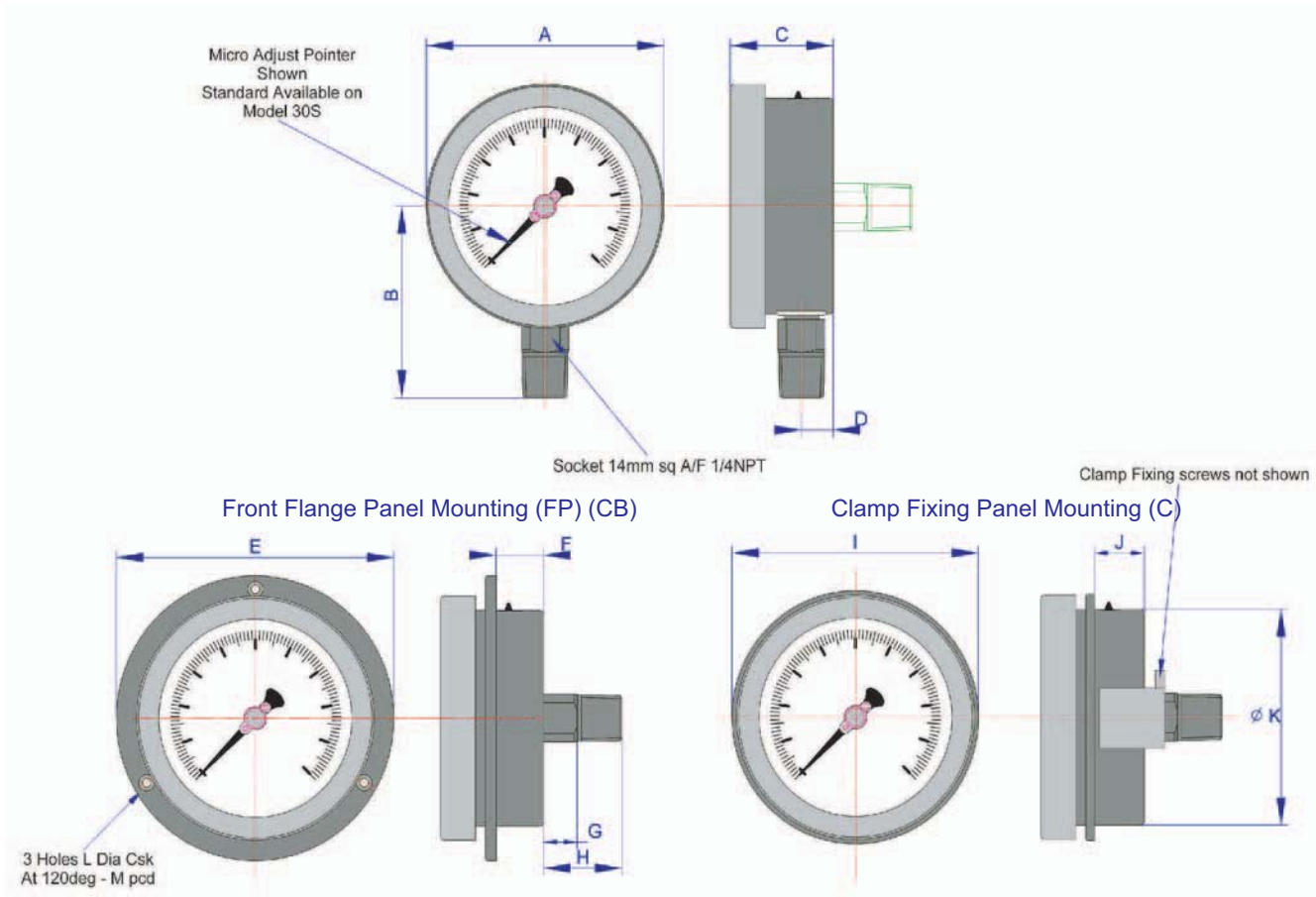
We manufacture a wide range of instruments to customer's special requirements  
We shall be pleased to discuss and advise on your specifications.

Specifications and dimensions given in this leaflet represent the state of engineering at the time of printing.  
Engineering modifications may take place without prior notice.

# Heavy Duty, All Stainless Steel Gauges

2" (50mm) Model 30S (1/4" or 1/8" NPT)

Direct Mounting (Standard, No Code)



	A Dims	B	C	D	E	F	G	H	I	J	K	L	M	Cut Out
50.8mm 2in	55.4 2.18	50 1.97	31.5 1.24	10.8 0.42	77 3.03	15.8 0.62	6.7 0.26	22.7 0.89	55.9 2.20	18 0.71	49 1.93	3.8 0.15	65 2.56	53 2.09

Before use please consult our recommendation regarding selection and installation or consult ASME B40.1.

**STEWARTS - USA**  
 6786 Tipperary  
 HOUSTON, TX 77061 USA  
 Phone. 713-643-1022  
 Fax. 713-643-2855  
 Toll Free. 1-800-901-1316  
 Web. [stewartsworld.com](http://stewartsworld.com)